

## An Up-To-Date One-Line Diagram is Essential to the Safe and Reliable Operation of Your Data Center

**As you add and remove electrical equipment in your data center, your one-line diagram should keep up with those changes. Otherwise, those who perform electrical maintenance or emergency service in your data center are using an outdated “map” to accomplish their mission. You need accurate documentation that can help them avoid electrical hazards, operating errors, and load loss. An up-to-date one-line diagram is vital to the safe and reliable daily operations of your data center.**



### **One-line Diagram Verification Includes:**

- Verification of existence and accuracy of one-line drawings.
- Verification of process to maintain up-to-date accuracy of one-line drawings.
- Evaluation of design redundancy of critical systems to enable maintenance without a shutdown.

### **One-line Diagram Update includes:**

- Inventory of electrical equipment.
- Single-point-of-failure analysis.
- Update of one-line diagram to document current electrical system.

### **Your Up-To-Date One-Line Diagram is Vital for:**

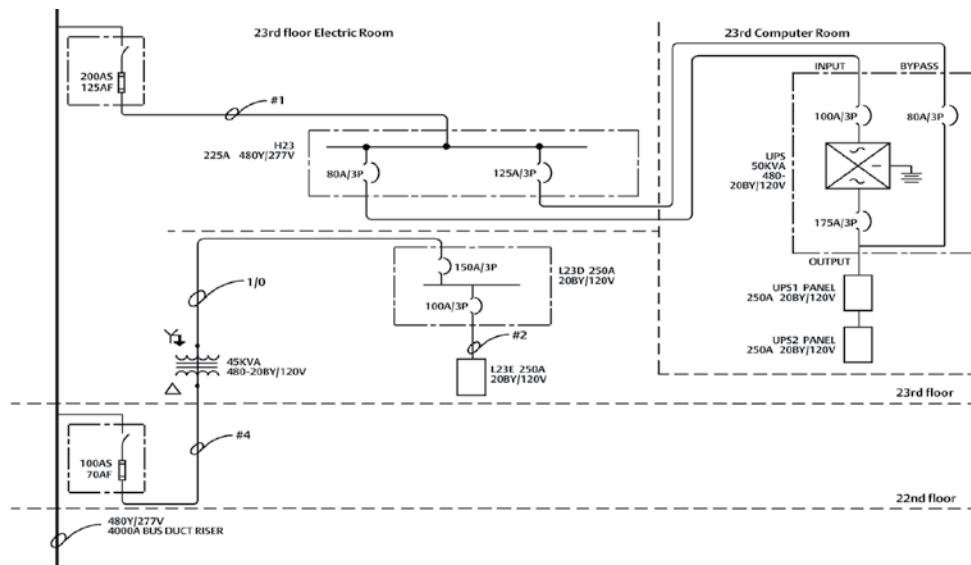
- Meeting National Electrical Code 2.5.5 and NFPA 70E requirements.
- Electrical safety procedures.
- Short circuit calculations.
- Efficient maintenance.
- Coordination studies.
- Load Flow/Power Factor studies.
- Power System studies.
- Arc Flash studies.
- Reliability studies.
- Posting accurate as-built drawings at each facility.

# THE LIEBERT SERVICES DIFFERENCE FOR ONE-LINE DIAGRAM VERIFICATION AND UPDATE

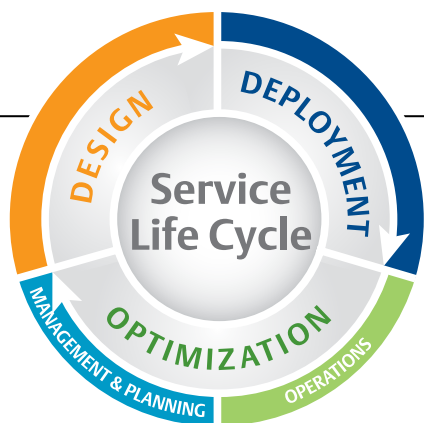
## Rely on the Most Qualified Engineers and Field Technicians

Our one-line diagram verifications and updates are conducted by professional engineers and field technicians from Emerson's Electrical Reliability Services (ERS) group. Located throughout the United States, ERS technicians are certified by the InterNational Electrical Testing Associations (NETA), ensuring ongoing education and adherence to strict standards in safety and electrical testing knowledge.

- **Quality Documentation** — We provide a complete and accurate one-line diagram that will help you operate and maintain your data center safely and without interruption.
- **Expertise** — We are industry leaders in electrical testing techniques. With more than 40 years in electrical testing experience and state-of-the-art tools, we deliver accurate analysis of your data center electrical infrastructure.
- **Resources** — ERS provides a nationwide network of NETA-certified field technicians with more than 350 engineers, PEs, and field technicians in more than 30 service centers.



This is an example of a simple One-Line Diagram which allows both internal associates and external vendors to work from the same single point of reference.



Access Inc / 844 Ehlers Road / Neenah, WI 54956  
[www.access-inc.com](http://www.access-inc.com) / [Mail@access-inc.com](mailto:Mail@access-inc.com)  
 (920) 729-5900

